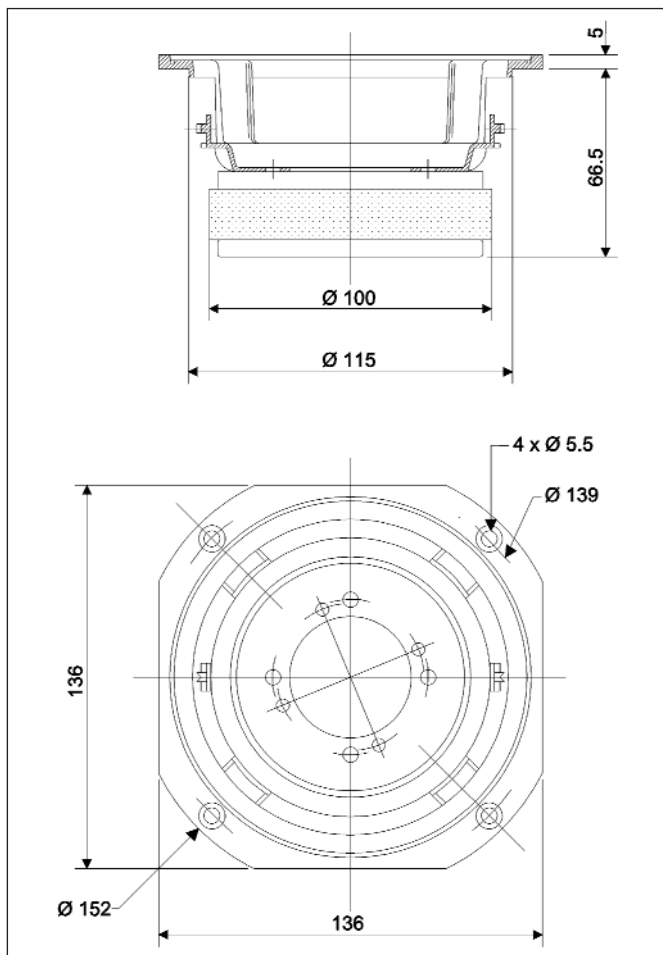
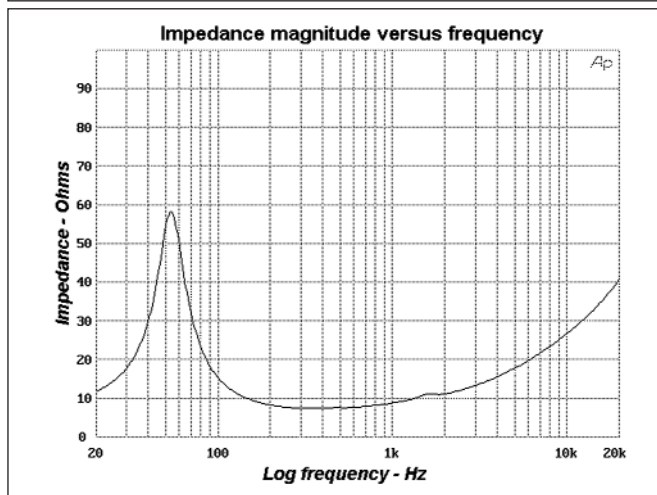
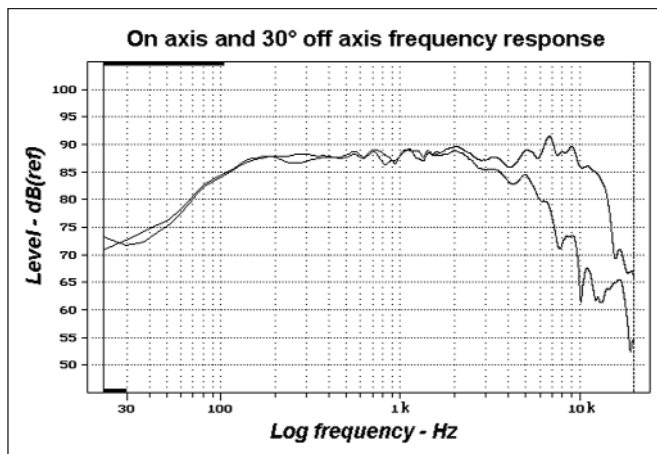


- Thick zamak alloy metal cast frame
- Semi exponential PolyKevlar® cone, rubber surround
- 25 mm diameter voice coil, Nomex™ former, phase plug
- Efficiency : 89 dB
- A classic, high resolution midrange, robust and efficient midbass

5 K 4211

5" Polykevlar® midbass


DRAWING

MEASUREMENTS

SPECIFICATIONS

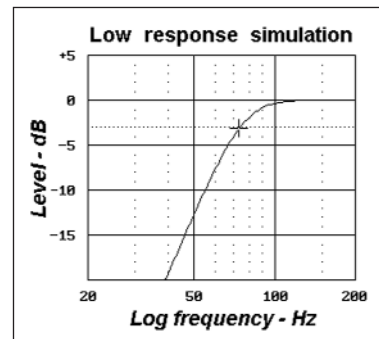
Nominal power handling	50	W
Program power handling	70	W
Sensitivity	89	dB (2.8V/1m)
Cone	Polykevlar®	
Surround	Rubber	
Nominal impedance	8	Ω
DC resistance	6.6	Ω
VC diameter	25	mm
VC height	12.4	mm
Former	Nomex™	
Layers	2	
Wire	Copper	
Inductance	0.51	mH
Xmax	3.2	mm
Magnet diameter x height	100 x 18	mm x mm
Magnet weight	564	g
Flux density	1.1	T
Gap height	6	mm
Net weight	1.5	kg

PARAMETERS

Fs	56.4	Hz
Vas	11.5	l
Qts	0.32	
Qes	0.37	
Qms	2.49	
Re	6.6	Ω
Sd	86.6	cm²
Cas	816E-10	m²/N
Mas	97.6	kg/m⁴
Ras	13 894.2	Ω.ac
Cms	109E-5	m/N
Mms	7.3	g
Rms	1 042	g/s
Ces	158.0	μF
Les	50.4	mH
Res	44.5	Ω
Bl	6.8	N/A
SPL	89.3	dB/W/m

SIMULATION

Ql:	7	Ω
Rg:	0.3	
Qts (+Rg):	0.34	



Vb:	6	l
Fb:	69.0	Hz
F-3:	73.4	Hz