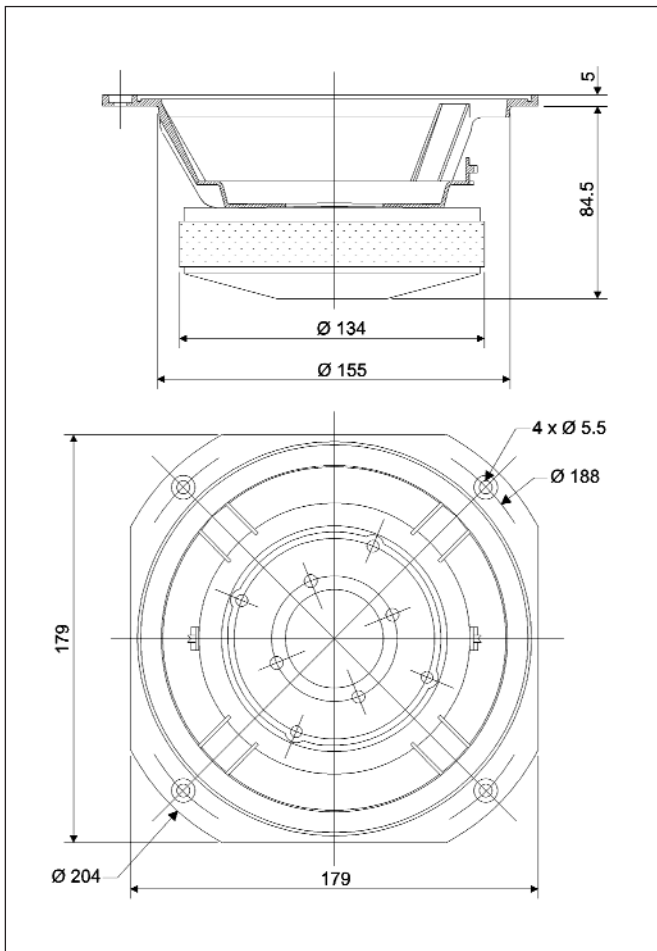


AUDIOM SERIES

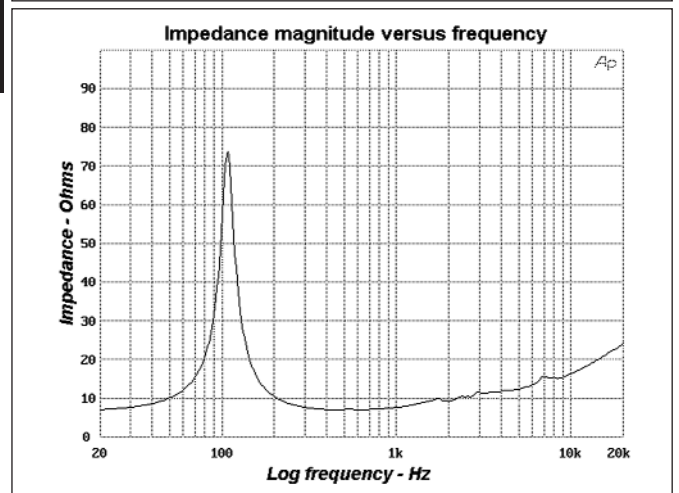
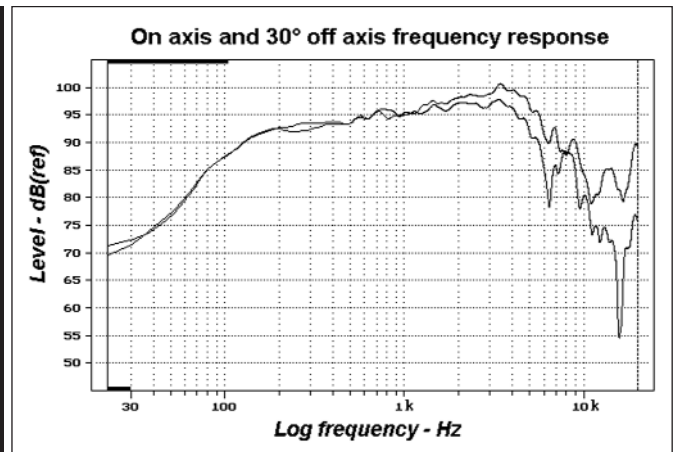
- Thick zamak alloy metal cast frame
- Semi exponential Neoflex cone, coated fabric surround
- Edgewound flat aluminium wire 40 mm voice coil, Kapton™ former, phase plug
- Efficiency : 96.1 dB
- Superb transient response and very high efficiency thanks to massive magnet



DRAWING



MEASUREMENTS



SPECIFICATIONS

Nominal power handling	70	W
Program power handling	150	W
Sensitivity	96.1	dB (2.8V/1m)
Cone	Coated Neoflex	
Surround	Coated Fabric	
Nominal impedance	8	Ω
DC resistance	6	Ω
VC diameter	40	mm
VC height	7	mm
Former	Kapton™	
Layers	1	
Wire	Aluminium	
Inductance	0.2	mH
Xmax	1.55	mm
Magnet diameter x height	134 x 20	mm x mm
Magnet weight	1160	g
Flux density	1.52	T
Gap height	6	mm
Net weight	3	kg

PARAMETERS

Fs	98.6	Hz
Vas	9.9	l
Qts	0.44	
Qes	0.46	
Qms	8.11	
Re	6.3	Ω
Sd	162.9	cm²
Cas	706E-10	m²/N
Mas	36.9	kg/m⁴
Ras	2 820.2	Ω.ac
Cms	266E-6	m/N
Mms	9.8	g
Rms	748	g/s
Ces	117.5	μF
Les	22.2	mH
Res	111.4	Ω
Bl	9.1	N/A
SPL	95.0	dB/W/m

SIMULATION

Ql:		Ω
Rg:		
Qts (+Rg):		
Vb:		l
Fb:		Hz
F-3:		Hz